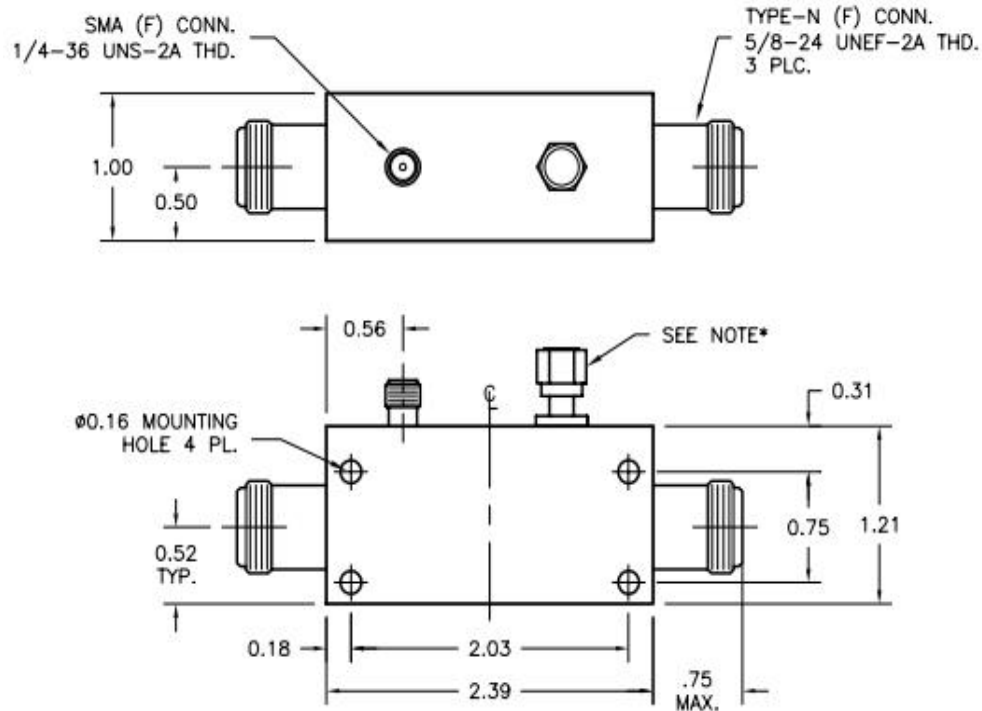


DCHP-2G8G-30-N is a $30\pm 0.5\text{dB}$ (40,50 optional) coupling high power directional coupler, designed to operate over the 2-8GHz frequency range, with compact size. This model is designed to handle 500W max input power, and also performs with low insertion loss of 0.2dB max and with coupling flatness of $\pm 1.0\text{dB}$ max, and low VSWR of 1.3 max.

Mechanical Outline(Inch):




Specifications:

Coupling:	$30\pm 0.5\text{dB}$ (40,50 optional)
Frequency:	2-8GHz
Insertion Loss:	0.2dB max
Coupling flatness:	$\pm 1.0\text{dB}$ max
Directivity:	19dB min
Power Handling:	500W max
VSWR:	1.3:1 max
Connectors:	N-F (SMA for coupling port)

Environmental Ratings:

Temperature:	-25°C to +71 °C Operating -65 °C to +100 °C Non-Operating
Vibration:	MIL-STD-202F, Method 204D Cond. B
Altitude:	MIL-STD-202F, Method 105C Cond. B
Temperature Cycle:	MIL-STD-202F, Method 107D Cond. A

High Power Directional Coupler DCHP-2G8G-30-N			
DRAWN:	DWG NO.:	REV CODE: Rev.1.0	 www.connphy.com sales@connphy.com
CHECKRD:	DATE: 18/04/15	SHEET : 1 OF 1	
ISSUED:	SIZE: A	SCALE : N / A	Notes: SPEC ARE SUBJECT TO CHANGE WITHOUT NOTICE.